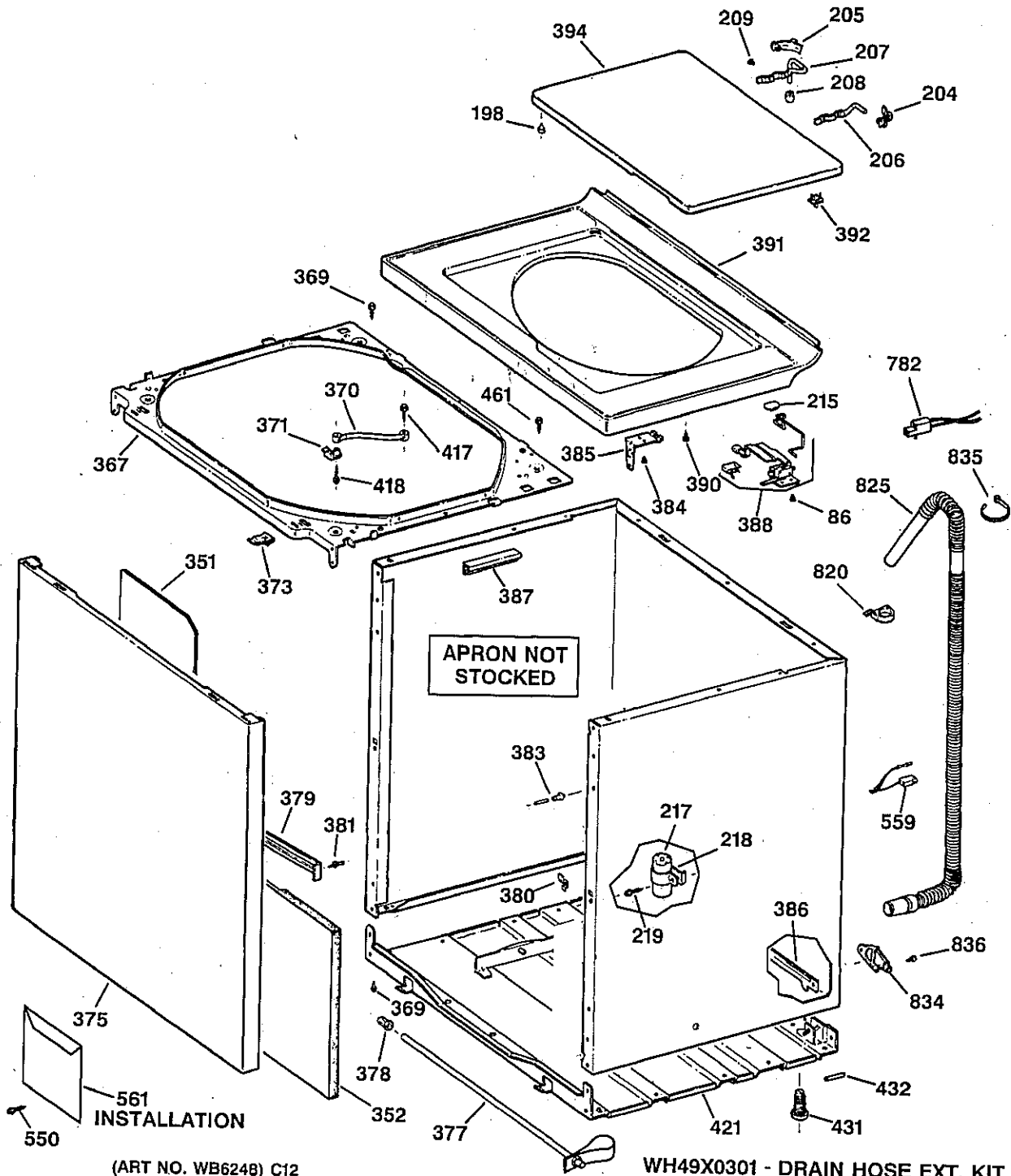
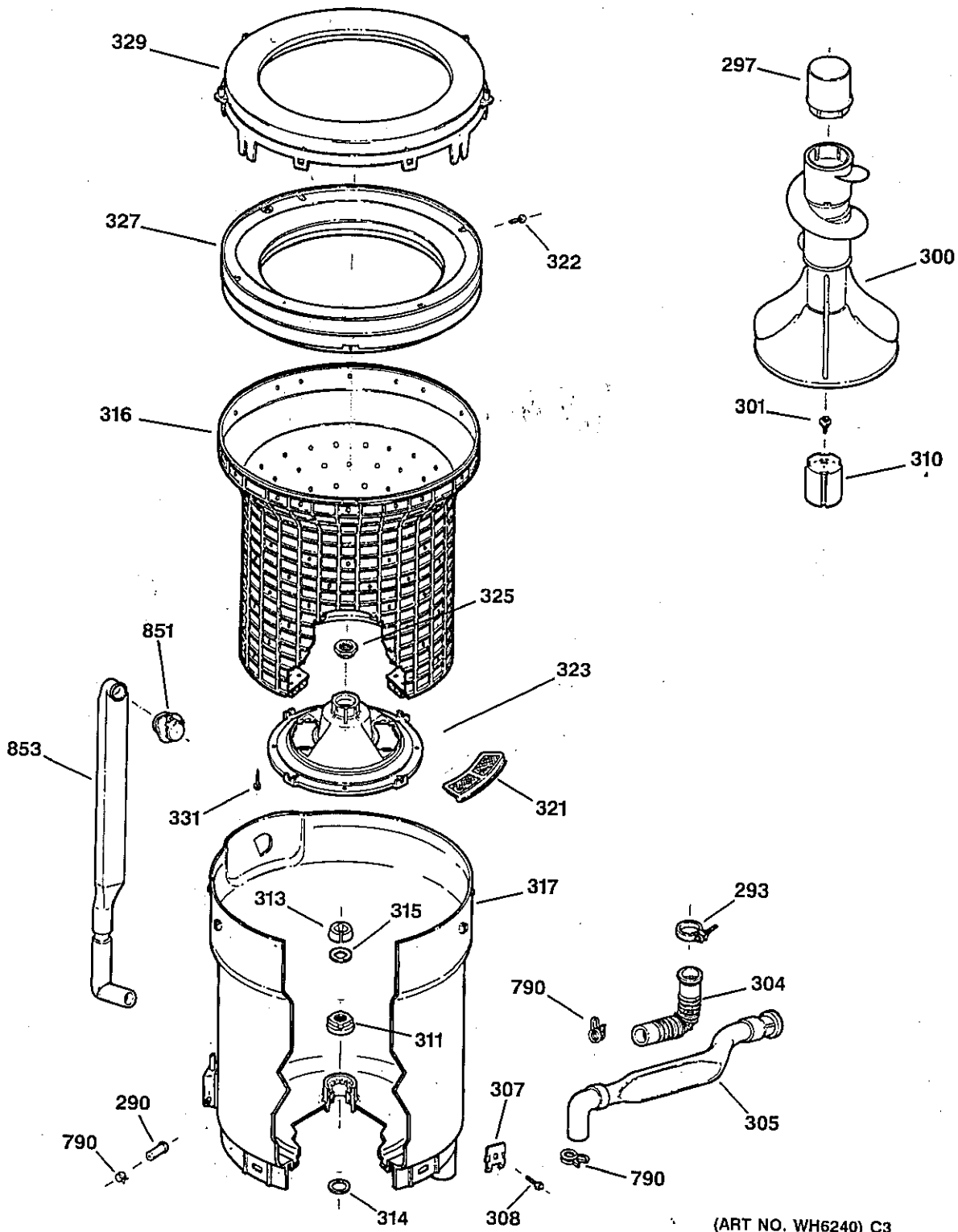


[WISR106DTAWW] CABINET, COVER & FRONT PANEL

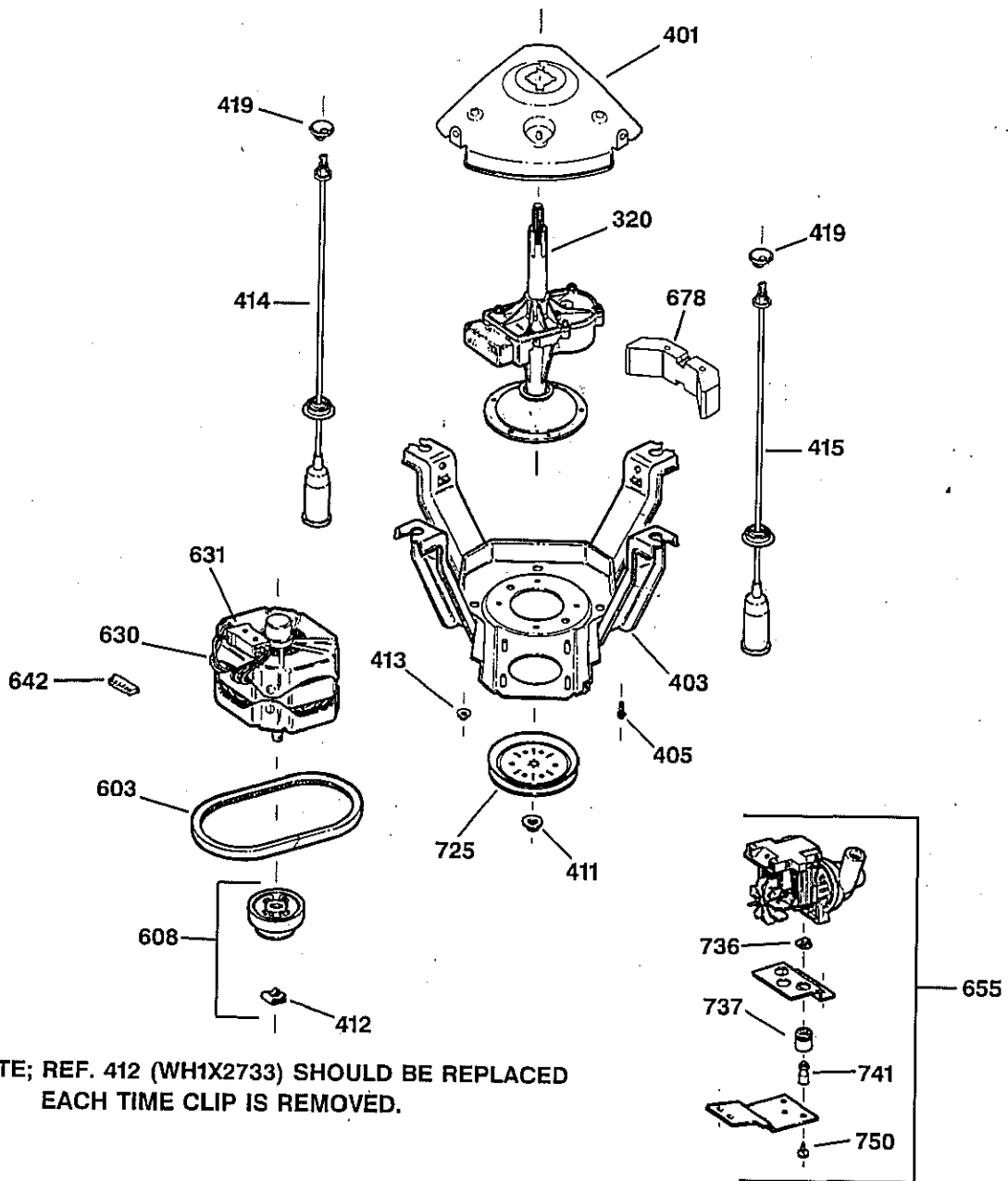


(ART NO. WB6248) C12

[WISR106DTAWW] TUB, BASKET & AGITATOR



[WISR106DTAWW] SUSPENSION, PUMP & DRIVE COMPONENTS



NOTE; REF. 412 (WH1X2733) SHOULD BE REPLACED EACH TIME CLIP IS REMOVED.

(ART NO. WH6256) C2

No.	Illustration Title	Item No.	Illustrated?	Part No.	Qty.	Part Description
1	CONTROLS & BACKSPLASH	X		49-9905	1	MANUAL USE CARE
1	CONTROLS & BACKSPLASH	X		31-15097	1	MINI MANUAL
1	CONTROLS & BACKSPLASH	X		31-2817	1	PM INSTRUCTION INSTALL
1	CONTROLS & BACKSPLASH	X		WH46X10019	1	SUPPORT SWITCH
1	CONTROLS & BACKSPLASH	X		WH42X2397	1	END CAP LH WH
1	CONTROLS & BACKSPLASH	X		WH42X2398	1	END CAP RH WH
1	CONTROLS & BACKSPLASH	X		WH02X0650	1	RING COMP
1	CONTROLS & BACKSPLASH	X		WH11X0139	1	DIAL ASM
1	CONTROLS & BACKSPLASH	X		WH01X2754	1	KNOB ASM CONTROL
1	CONTROLS & BACKSPLASH	X		WH01X2117	1	CLIP SPRING
1	CONTROLS & BACKSPLASH	X		WH12X0998	1	SWITCH PRESSURE
1	CONTROLS & BACKSPLASH	X		WH02X1206	4	SCR 8-18 ABFLT 5/8 SN WH
1	CONTROLS & BACKSPLASH	X		WH42X2517	1	CONTROL PANEL ASM
1	CONTROLS & BACKSPLASH	X		WH01X2721	2	KNOB & CLIP ASM WH
1	CONTROLS & BACKSPLASH	X		WE01X0980	2	U CLIP
1	CONTROLS & BACKSPLASH	X		WH02X1205	4	SCR 8-18 B 1/2 HWX P
1	CONTROLS & BACKSPLASH	X		WH42X2513	1	PANEL BACK
1	CONTROLS & BACKSPLASH	X		WH46X0341	1	COVER BOTTOM
2	CABINET, COVER & FRONT PANEL	X		WH08X0379	1	GASKET BACKSPLASH
1	CONTROLS & BACKSPLASH	X		WH02X0940	2	SCR, 8-32 TT FL 1/2 S
1	CONTROLS & BACKSPLASH	X		WH12X0999	1	SWITCH ROTARY TEMP.
1	CONTROLS & BACKSPLASH	X		WH12X1072	1	TIMER 240, 50 HZ
1	CONTROLS & BACKSPLASH	X		WH02X1210	8	SCR 8-18 B IHW 1/2 S N
2	CABINET, COVER & FRONT PANEL	X		WH01X2722	2	BUMPER LID
2	CABINET, COVER & FRONT PANEL	X		WH01X2741	1	BUSHING HINGE
2	CABINET, COVER & FRONT PANEL	X		WH01X2744	1	BUSHING HINGE-FRONT OPEN
2	CABINET, COVER & FRONT PANEL	X		WH01X2740	1	WIREFORM HINGE
2	CABINET, COVER & FRONT PANEL	X		WH01X2743	1	WIREFORM HINGE
2	CABINET, COVER & FRONT PANEL	X		WH01X2742	1	BUMPER HINGE
2	CABINET, COVER & FRONT PANEL	X		WH02X1211	4	SCREW
3	TUB, BASKET & AGITATOR	X		WH01X2089	1	KNOB ACTUATOR
3	TUB, BASKET & AGITATOR	X		WH01X2750	1	CAP BLEACH PORT
3	TUB, BASKET & AGITATOR	X		WH01X2753	1	CLAMP TUB OUTLET
3	TUB, BASKET & AGITATOR	X		WH43X0140	1	CAP AGITATOR TALL
3	TUB, BASKET & AGITATOR	X		WH43X0142	1	AGITATOR ASM MULTI
3	TUB, BASKET & AGITATOR	X		WH02X10037	1	SCR 1/4-20 MCH 5/8 S
3	TUB, BASKET & AGITATOR	X		WH41X0371	1	HOSE DRAIN INLET (TUB TO
3	TUB, BASKET & AGITATOR	X		WH41X0374	1	HOSE DRAIN ASM
3	TUB, BASKET & AGITATOR	X		WH01X2730	4	CLAMP - TUB
3	TUB, BASKET & AGITATOR	X		WH02X1209	4	SCR 5/16-18 TPT IHW S N
3	TUB, BASKET & AGITATOR	X		WH43X0137	1	COUPLING AIR BELL
3	TUB, BASKET & AGITATOR	X		WH02X1196	1	SEAL TUB
3	TUB, BASKET & AGITATOR	X		WH02X1195	1	RING SPLIT
3	TUB, BASKET & AGITATOR	X		WH02X1197	1	WASHER TUB BEARING
3	TUB, BASKET & AGITATOR	X		WH02X1199	1	WASHER HUB

No.	Illustration Title	Item No.	Illustrated?	Part No.	Qty.	Part Description
3	TUB, BASKET & AGITATOR	316	X	WH45X10014	1	BASKET EXTRA LARGE
3	TUB, BASKET & AGITATOR	317	X	WH45X0158	1	TUB ASM X/LARGE
4	SUSPENSION, PUMP & DRIVE COMPONENTS	320	X	WH38X10002	1	TRANSMISSION & BRAKE ASM
3	TUB, BASKET & AGITATOR	321	X	WH01X2728	2	FILTER SELF CLEAN
3	TUB, BASKET & AGITATOR	322	X	WH02X1194	11	SCREW
3	TUB, BASKET & AGITATOR	323	X	WH45X10013	1	HUB
3	TUB, BASKET & AGITATOR	325	X	WH02X1193	1	NUT HUB
3	TUB, BASKET & AGITATOR	327	X	WH45X0152	1	BALANCE RING ASM
3	TUB, BASKET & AGITATOR	329	X	WH45X0151	1	TUB COVER ASM
3	TUB, BASKET & AGITATOR	331	X	WH02X10001	8	SCR 14-10 A TRT 7/8 S
2	CABINET, COVER & FRONT PANEL	351	X	WH46X0353	1	DAMPER FRONT PANEL
2	CABINET, COVER & FRONT PANEL	352	X	WH46X0354	1	BOTTOM FRNT PNL INSUL.
2	CABINET, COVER & FRONT PANEL	367	X	WH46X0364	1	WELD ASM ROD SUPPORT
2	CABINET, COVER & FRONT PANEL	369	X	WH02X1217	31	SCR 8-18 AB IHW 7/16 SN
2	CABINET, COVER & FRONT PANEL	370	X	WH01X2727	4	STRAP DAMPING
2	CABINET, COVER & FRONT PANEL	371	X	WH01X2726	4	RETAINER STRAP
2	CABINET, COVER & FRONT PANEL	373	X	WH02X1191	2	CLIP LOCKING
2	CABINET, COVER & FRONT PANEL	375	X	WH46X0365	1	FRONT PANEL WH
2	CABINET, COVER & FRONT PANEL	377	X	WH46X0344	1	BAR SHIPPING
2	CABINET, COVER & FRONT PANEL	378	X	WH01X2745	1	BUTTON PLUG
2	CABINET, COVER & FRONT PANEL	379	X	WH16X0540	1	BRACE
2	CABINET, COVER & FRONT PANEL	380	X	WH02X1207	1	CLIP GROUND
2	CABINET, COVER & FRONT PANEL	381	X	WH02X1190	1	STUD GROUNDING
2	CABINET, COVER & FRONT PANEL	383	X	WH02X1189	4	PIN ALIGNMENT
2	CABINET, COVER & FRONT PANEL	384	X	WH02X1212	2	SCR 6-20 B TRT 3/8 S
2	CABINET, COVER & FRONT PANEL	385	X	WH01X2723	2	COVER CLIP
2	CABINET, COVER & FRONT PANEL	386	X	WH46X0362	1	BAR SELF LEVELING
2	CABINET, COVER & FRONT PANEL	387	X	WH41X0368	1	CONDUIT PRESSURE SW HOSE
2	CABINET, COVER & FRONT PANEL	388	X	WH12X1043	1	LID SWITCH ASM
2	CABINET, COVER & FRONT PANEL	390	X	WH01X2724	4	ISOLATOR
2	CABINET, COVER & FRONT PANEL	391	X	WH44X1168	1	COVER ASM FINISHED WH
2	CABINET, COVER & FRONT PANEL	392	X	WH01X2734	1	PROBE LID SWITCH
2	CABINET, COVER & FRONT PANEL	394	X	WH44X1230	1	LID ASM FINISHED
4	SUSPENSION, PUMP & DRIVE COMPONENTS	401	X	WH45X0159	1	SHIELD TUB
4	SUSPENSION, PUMP & DRIVE COMPONENTS	403	X	WH17X10003	1	LEG & PLATFORM WELD ASM
4	SUSPENSION, PUMP & DRIVE COMPONENTS	405	X	WH02X1201	4	SCR 1/4-20 B HXW 3/4 SNS
4	SUSPENSION, PUMP & DRIVE COMPONENTS	411	X	WH02X1203	1	NUT PULLEY
4	SUSPENSION, PUMP & DRIVE COMPONENTS	412	X	WH01X2733	1	CLIP CLUTCH SPRING
4	SUSPENSION, PUMP & DRIVE COMPONENTS	413	X	WH02X1204	4	NUT MOTOR HEX
4	SUSPENSION, PUMP & DRIVE COMPONENTS	414	X	WH16X0545	2	ROD & SPRING ASM
4	SUSPENSION, PUMP & DRIVE COMPONENTS	415	X	WH16X0543	2	ROD & SPRING ASM
2	CABINET, COVER & FRONT PANEL	417	X	WH02X0694	4	SCR 10-12 A HX 1/2 S
2	CABINET, COVER & FRONT PANEL	418	X	WH02X10003	4	SCR 8-18 B IHW 1 S
4	SUSPENSION, PUMP & DRIVE COMPONENTS	419	X	WH01X10001	4	SOCKET ROD SUPPORT
2	CABINET, COVER & FRONT PANEL	421	X	WH46X10024	1	BASE ASM

No.	Illustration Title	Item No.	Illustrated?	Part No.	Qty.	Part Description
2	CABINET, COVER & FRONT PANEL	431	X	WH02X1187	4	LEG LEVELING
2	CABINET, COVER & FRONT PANEL	432	X	WH02X1188	2	PIN ROLL
2	CABINET, COVER & FRONT PANEL	461	X	WZ05X0158	1	SCREW 8-32X3/8 GRD SCR
1	CONTROLS & BACKSPLASH	546	X	WH12X0870	1	HOUSING TERMINAL BK
2	CABINET, COVER & FRONT PANEL	550	X	WE02X0281	1	SCR 8-18 AB HWX 3/8 S
1	CONTROLS & BACKSPLASH	555	X	WB17X5053	2	TERMINAL
1	CONTROLS & BACKSPLASH	556	X	WH12X0497	1	HOUSING TERMINAL
1	CONTROLS & BACKSPLASH	557	X	WH19X0314	1	CORD POWER ASM
2	CABINET, COVER & FRONT PANEL	559	X	WH12X0538	1	HOUSING TERMINAL
2	CABINET, COVER & FRONT PANEL	561	X	WH49X0308	1	PACK INSTALLATION
4	SUSPENSION, PUMP & DRIVE COMPONENTS	603	X	WH01X2788	1	BELT DRIVE 220/240, 50 HZ
4	SUSPENSION, PUMP & DRIVE COMPONENTS	608	X	WH05X0255	1	CLUTCH ASM
1	CONTROLS & BACKSPLASH	627	X	WR01X1930	1	STRAIN RELIEF
4	SUSPENSION, PUMP & DRIVE COMPONENTS	630	X	WH20X0876	1	MOTOR 220/240, 50HZ
4	SUSPENSION, PUMP & DRIVE COMPONENTS	642	X	WH12X10024	1	HOUSING SPECIAL
4	SUSPENSION, PUMP & DRIVE COMPONENTS	655	X	WH23X0088	1	PUMP BRACKET ASM
4	SUSPENSION, PUMP & DRIVE COMPONENTS	678	X	WH01X2805	1	COUNTERWEIGHT
4	SUSPENSION, PUMP & DRIVE COMPONENTS	725	X	WH07X0137	1	PULLEY 220/240, 50 HZ
4	SUSPENSION, PUMP & DRIVE COMPONENTS	736	X	WR02X8203	3	CLIP COMPRESSOR MOUNT
4	SUSPENSION, PUMP & DRIVE COMPONENTS	737	X	WR02X7238	3	GROMMET COMP MTG
1	CONTROLS & BACKSPLASH	741	X	WR01X1779	3	STUD MTG COMPR
4	SUSPENSION, PUMP & DRIVE COMPONENTS	750	X	WR01X1786	3	SCR 10-32 TR T 1/2
1	CONTROLS & BACKSPLASH	769	X	WB01X0500	2	SCR 8-18 B HWX 1/4 S
2	CABINET, COVER & FRONT PANEL	782	X	WB17X5060	1	TERMINAL BLK ASM (2 PIN)
1	CONTROLS & BACKSPLASH	790	X	WH01X2036	1	CLAMP HOSE
3	TUB, BASKET & AGITATOR	790	X	WH01X2036	1	CLAMP HOSE
1	CONTROLS & BACKSPLASH	803	X	WH41X0366	1	WATER INLET HOSE
1	CONTROLS & BACKSPLASH	805	X	WH46X0360	1	INSULATION NOISE
1	CONTROLS & BACKSPLASH	805	X	WH12X1075	1	VALVE WATER 220/240, 50HZ
1	CONTROLS & BACKSPLASH	807	X	WH02X0042	4	HOSE WASHER
1	CONTROLS & BACKSPLASH	808	X	WH41X0403	1	HOSE INLET COLD METRIC
1	CONTROLS & BACKSPLASH	808	X	WH41X0400	1	HOSE INLET HOT METRIC
1	CONTROLS & BACKSPLASH	811	X	WH41X0365	1	HOSE PRESSURE SWITCH
2	CABINET, COVER & FRONT PANEL	820	X	WH01X2725	1	CLIP ANTI-SIPHON
2	CABINET, COVER & FRONT PANEL	825	X	WH41X0367	1	HOSE DRAIN EXTERNAL
2	CABINET, COVER & FRONT PANEL	834	X	WH16X0513	1	RETAINER HOSE
2	CABINET, COVER & FRONT PANEL	835	X	WH01X2594	1	STRAP
2	CABINET, COVER & FRONT PANEL	836	X	WH02X10002	2	SCR 8-18 AB IHWP 7/8 S
3	TUB, BASKET & AGITATOR	851	X	WH01X2729	1	GASKET FLOOD HEAD
3	TUB, BASKET & AGITATOR	853	X	WH41X0369	1	HOSE FLOOD
1	CONTROLS & BACKSPLASH	935	X	WD01X1434	16	TERMINAL SPECIAL