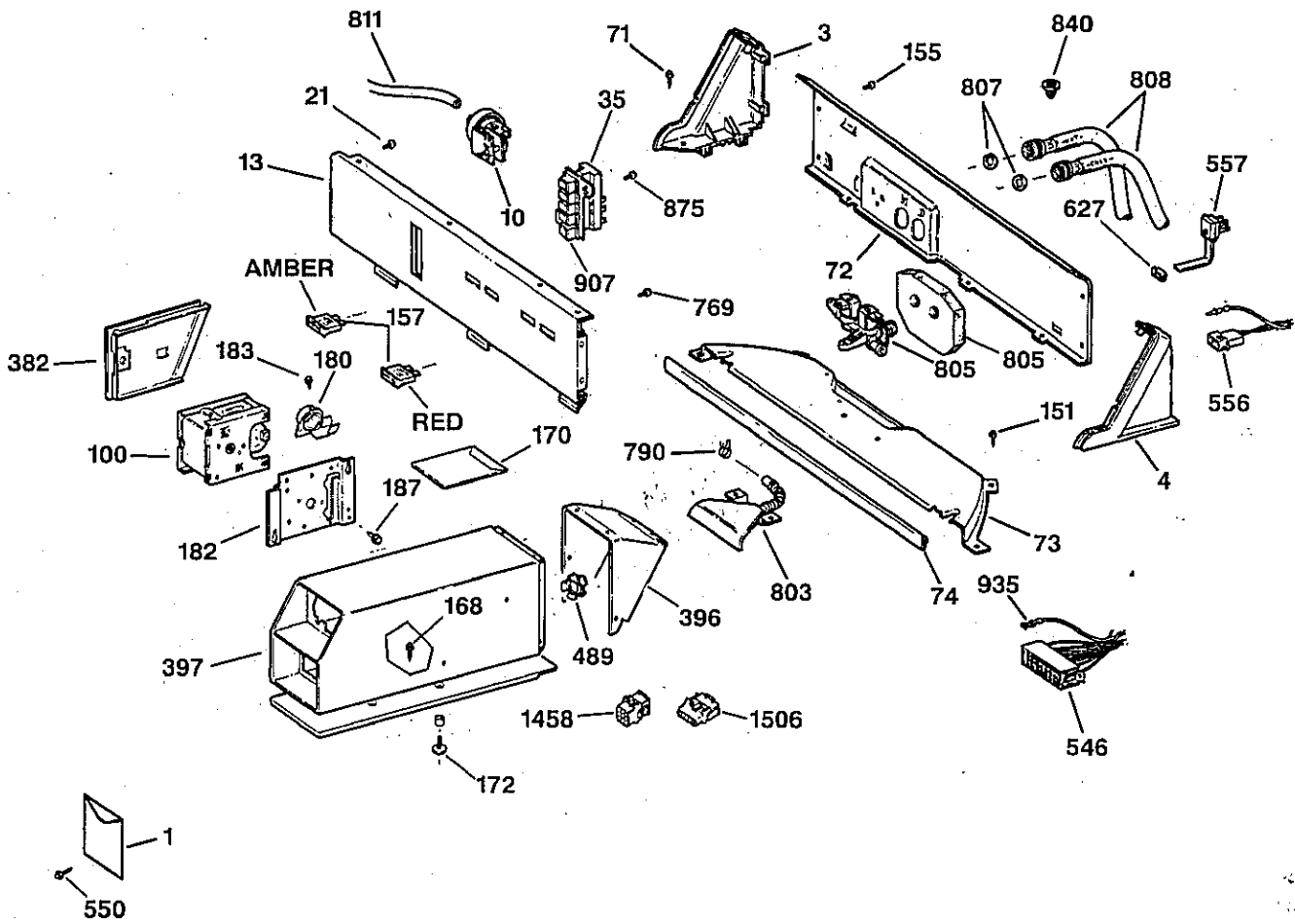


[WICB103CV1WC] BACKSPLASH & COIN BOX ASSEMBLY

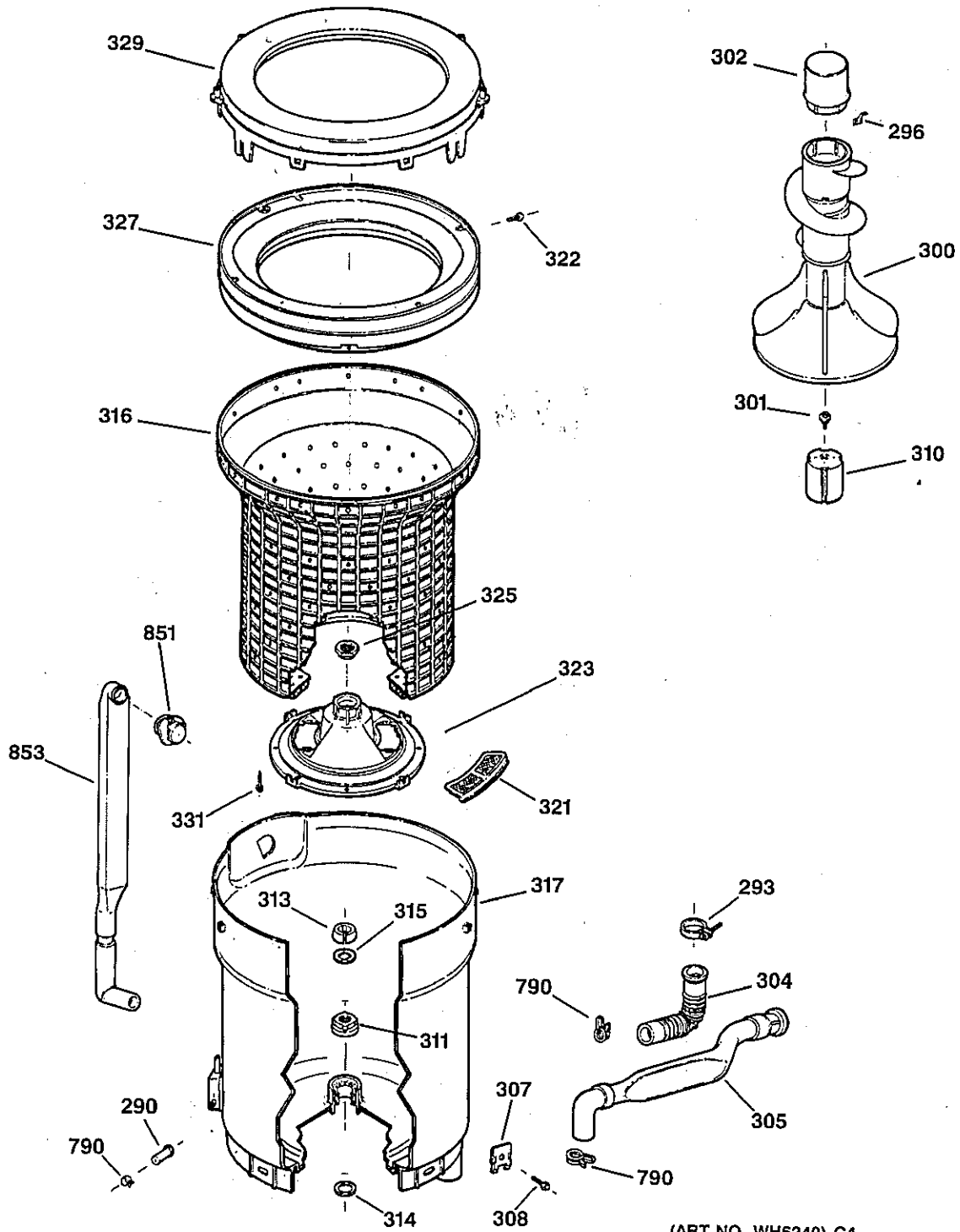


(ART NO. WH6246) C3

NOTE: ALL CATALOG NUMBERS WITH APREFIX OF * ARE CATALOG NUMBERS OF GREENWALD INDUSTRIES INC. FOR INFORMATION RELATIVE TO THE GREENWALD PARTS, CONTACT YOUR COIN LAUNDRY DEALER

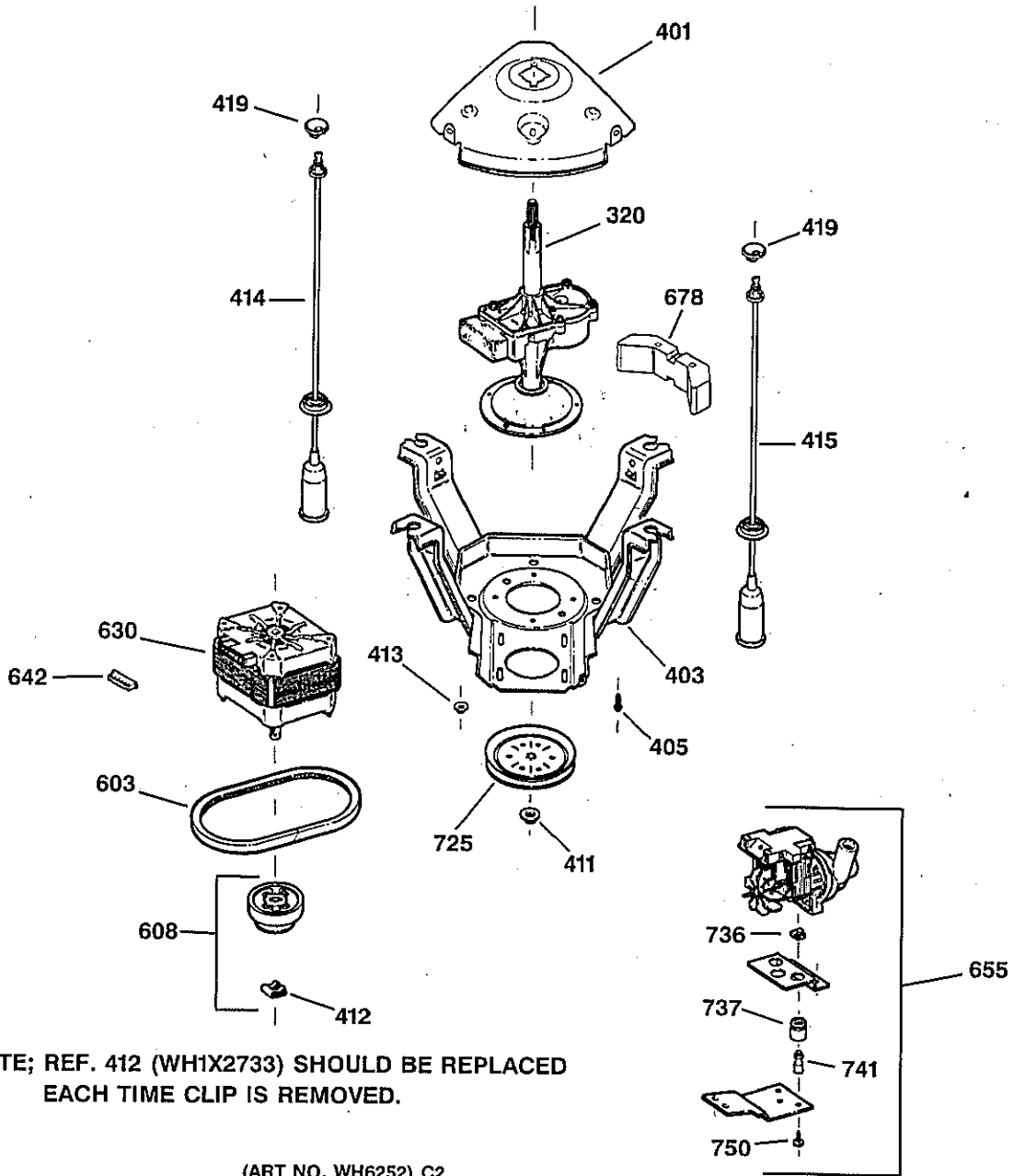
**OR
GREENWALD IND. INC.
1330 METROPOLITAN AVE.
BROOKLYN, NY. 11237
TELEPHONE 1-800-221-0982**

[WICB103CV1WC] TUB, BASKET & AGITATOR



(ART NO. WH6240) C4

[WICB103CV1WC] SUSPENSION, PUMP & DRIVE COMPONENTS



NOTE; REF. 412 (WH1X2733) SHOULD BE REPLACED EACH TIME CLIP IS REMOVED.

(ART NO. WH6252) C2

No.	Illustration Title	Item No.	Illustrated?	Part No.	Qty.	Part Description
1	BACKSPASH & COIN BOX ASSEMBLY	1	X	31-15401	1	PM INSTRUCTION INSTAL
1	BACKSPASH & COIN BOX ASSEMBLY	1	X	49-9956	1	PM MANUAL USE & CARE
1	BACKSPASH & COIN BOX ASSEMBLY	1	X	31-15347	1	PM SHEET MINI MANUAL
1	BACKSPASH & COIN BOX ASSEMBLY	3	X	WH42X2397	1	END CAP LH WH
1	BACKSPASH & COIN BOX ASSEMBLY	4	X	WH42X2398	1	END CAP RH WH
1	BACKSPASH & COIN BOX ASSEMBLY	10	X	WH12X10022	1	SWITCH PRESSURE
1	BACKSPASH & COIN BOX ASSEMBLY	13	X	WH42X10049	1	CONTROL PANEL ASM
1	BACKSPASH & COIN BOX ASSEMBLY	21	X	WH02X1185	2	SCR 8-18 B IHW 5/16 S
1	BACKSPASH & COIN BOX ASSEMBLY	35	X	WH12X1050	1	SWITCH PUSHBUTTON ASM
1	BACKSPASH & COIN BOX ASSEMBLY	71	X	WH02X1205	4	SCR 8-18 B 1/2 HW P
1	BACKSPASH & COIN BOX ASSEMBLY	72	X	WH46X10034	1	PANEL BACK
1	BACKSPASH & COIN BOX ASSEMBLY	73	X	WH46X0341	1	COVER BOTTOM
1	BACKSPASH & COIN BOX ASSEMBLY	74	X	WH08X0379	1	GASKET BACKSPLASH
1	BACKSPASH & COIN BOX ASSEMBLY	100	X	WH12X10056	1	TIMER COIN-OP
1	BACKSPASH & COIN BOX ASSEMBLY	151	X	WH02X1210	8	SCR 8-18 B IHW 1/2 S N
1	BACKSPASH & COIN BOX ASSEMBLY	155	X	WH02X1233	9	SCR 8-18 AB TRT 5/8 S
1	BACKSPASH & COIN BOX ASSEMBLY	157	X	WH12X10055	2	LAMP 240V BLUE
1	BACKSPASH & COIN BOX ASSEMBLY	157	X	WH12X10054	1	LAMP 240V GREEN
1	BACKSPASH & COIN BOX ASSEMBLY	168	X	WZ02X0468	2	SCR 10-32 M HS 1/8 S
1	BACKSPASH & COIN BOX ASSEMBLY	170	X	WH49X0264	1	PM ENVELOPE ASM LOCKDOWN
1	BACKSPASH & COIN BOX ASSEMBLY	172	X	WH02X1234	3	SCR 1/4-20MAC PNT .95
2	CABINET, COVER & FRONT PANEL	178	X	WH02X0939	1	SCR 6-19 PT HX 1/4 S
1	BACKSPASH & COIN BOX ASSEMBLY	180	X	* 72-33-4	1	CLUTCH ASM
1	BACKSPASH & COIN BOX ASSEMBLY	182	X	* 74-05	1	BRACKET TIMER
1	BACKSPASH & COIN BOX ASSEMBLY	183	X	8-32X5/16	1	SCREW-CAP
1	BACKSPASH & COIN BOX ASSEMBLY	187	X	WH02X0946	3	SCR 10-32 M HW 1/4 S
2	CABINET, COVER & FRONT PANEL	198	X	WH01X2722	2	BUMPER LID
2	CABINET, COVER & FRONT PANEL	204	X	WH01X2741	1	BUSHING HINGE
2	CABINET, COVER & FRONT PANEL	205	X	WH01X2744	1	BUSHING HINGE-FRONT OPEN
2	CABINET, COVER & FRONT PANEL	206	X	WH01X2783	1	WIREFORM HINGE
2	CABINET, COVER & FRONT PANEL	207	X	WH01X10033	1	WIREFORM HINGE
2	CABINET, COVER & FRONT PANEL	208	X	WH01X2742	1	BUMPER HINGE
2	CABINET, COVER & FRONT PANEL	209	X	WH02X1211	4	SCREW
2	CABINET, COVER & FRONT PANEL	240	X	WH01X2266	1	BUTTON PLUG
2	CABINET, COVER & FRONT PANEL	241	X	WH01X2268	1	RETAINER BUTTON
3	TUB, BASKET & AGITATOR	290	X	WH01X2750	1	CAP BLEACH PORT
3	TUB, BASKET & AGITATOR	293	X	WH01X2753	1	CLAMP TUB OUTLET
3	TUB, BASKET & AGITATOR	296	X	WH01X2784	3	CLIP AGITATOR CAP
3	TUB, BASKET & AGITATOR	300	X	WH43X0142	1	AGITATOR ASM MULTI
3	TUB, BASKET & AGITATOR	301	X	WH02X10037	1	SCR 1/4-20 MCH 5/8 S
3	TUB, BASKET & AGITATOR	302	X	WH43X10005	1	CAP AGITATOR SHORT
3	TUB, BASKET & AGITATOR	304	X	WH41X0371	1	HOSE DRAIN INLET (TUB TO
3	TUB, BASKET & AGITATOR	305	X	WH41X0374	1	HOSE DRAIN ASM
3	TUB, BASKET & AGITATOR	307	X	WH01X2730	4	CLAMP - TUB
3	TUB, BASKET & AGITATOR	308	X	WH02X1209	4	SCR 5/16-18 TPT IHW S N

No.	Illustration Title	Item No.	Illustrated?	Part No.	Qty.	Part Description
3	TUB, BASKET & AGITATOR	310	X	WH43X0137	1	COUPLING AIR BELL
3	TUB, BASKET & AGITATOR	311	X	WH02X1196	1	SEAL TUB
3	TUB, BASKET & AGITATOR	313	X	WH02X1195	1	RING SPLIT
3	TUB, BASKET & AGITATOR	314	X	WH02X1197	1	WASHER TUB BEARING
3	TUB, BASKET & AGITATOR	315	X	WH02X1199	1	WASHER HUB
3	TUB, BASKET & AGITATOR	316	X	WH45X10016	1	BASKET LARGE
3	TUB, BASKET & AGITATOR	317	X	WH45X0155	1	TUB ASM
4	SUSPENSION, PUMP & DRIVE COMPONENTS	320	X	WH38X10002	1	TRANSMISSION & BRAKE ASM
3	TUB, BASKET & AGITATOR	321	X	WH01X2728	2	FILTER SELF CLEAN
3	TUB, BASKET & AGITATOR	322	X	WH02X1194	7	SCREW
3	TUB, BASKET & AGITATOR	323	X	WH45X10013	1	HUB
3	TUB, BASKET & AGITATOR	325	X	WH02X1193	1	NUT HUB
3	TUB, BASKET & AGITATOR	327	X	WH45X0152	1	BALANCE RING ASM
3	TUB, BASKET & AGITATOR	329	X	WH45X0151	1	TUB COVER ASM
3	TUB, BASKET & AGITATOR	331	X	WH02X10001	8	SCR 14-10 A TRT 7/8 S
2	CABINET, COVER & FRONT PANEL	367	X	WH46X0364	1	WELD ASM ROD SUPPORT
2	CABINET, COVER & FRONT PANEL	369	X	WH02X1217	32	SCR 8-18 AB IHW 7/16 SN
2	CABINET, COVER & FRONT PANEL	370	X	WH01X10046	4	STRAP DAMPING
2	CABINET, COVER & FRONT PANEL	371	X	WH01X2726	4	RETAINER STRAP
2	CABINET, COVER & FRONT PANEL	373	X	WH02X1191	2	CLIP LOCKING
2	CABINET, COVER & FRONT PANEL	375	X	WH46X0365	1	FRONT PANEL WH
2	CABINET, COVER & FRONT PANEL	377	X	WH46X0344	1	BAR SHIPPING
2	CABINET, COVER & FRONT PANEL	378	X	WH01X2745	1	BUTTON PLUG
2	CABINET, COVER & FRONT PANEL	379	X	WH16X0540	1	BRACE
2	CABINET, COVER & FRONT PANEL	380	X	WH02X1207	1	CLIP GROUND
2	CABINET, COVER & FRONT PANEL	381	X	WH02X1190	1	STUD GROUNDING
1	BACKSPLASH & COIN BOX ASSEMBLY	382	X	WH42X2507	1	DOOR LATCH ASM WH
2	CABINET, COVER & FRONT PANEL	383	X	WH02X1189	4	PIN ALIGNMENT
2	CABINET, COVER & FRONT PANEL	384	X	WH02X1212	2	SCR 6-20 B TRT 3/8 S
2	CABINET, COVER & FRONT PANEL	385	X	WH01X2723	2	COVER CLIP
2	CABINET, COVER & FRONT PANEL	386	X	WH46X0362	1	BAR SELF LEVELING
2	CABINET, COVER & FRONT PANEL	387	X	WH41X0368	1	CONDUIT PRESSURE SW HOSE
2	CABINET, COVER & FRONT PANEL	388	X	WH12X1051	1	LID SWITCH ASM
2	CABINET, COVER & FRONT PANEL	390	X	WH01X2724	4	ISOLATOR
2	CABINET, COVER & FRONT PANEL	391	X	WH44X1218	1	COVER ASM FINISHED WH
2	CABINET, COVER & FRONT PANEL	394	X	WH44X10014	1	LID ASM FINISHED
1	BACKSPLASH & COIN BOX ASSEMBLY	396	X	WH42X2506	1	ADAPTER WH
1	BACKSPLASH & COIN BOX ASSEMBLY	397	X	WH42X2508	1	METER CASE WH
4	SUSPENSION, PUMP & DRIVE COMPONENTS	401	X	WH45X0159	1	SHIELD TUB
4	SUSPENSION, PUMP & DRIVE COMPONENTS	403	X	WH17X10003	1	LEG & PLATFORM WELD ASM
4	SUSPENSION, PUMP & DRIVE COMPONENTS	405	X	WH02X1201	4	SCR 1/4-20 B HWX 3/4 SNS
4	SUSPENSION, PUMP & DRIVE COMPONENTS	411	X	WH02X1203	1	NUT PULLEY
4	SUSPENSION, PUMP & DRIVE COMPONENTS	412	X	WH01X2733	1	CLIP CLUTCH SPRING
4	SUSPENSION, PUMP & DRIVE COMPONENTS	413	X	WH02X1204	4	NUT MOTOR HEX
4	SUSPENSION, PUMP & DRIVE COMPONENTS	414	X	WH16X0545	2	ROD & SPRING ASM

No.	Illustration Title	Item No.	Illustrated?	Part No.	Qty.	Part Description
4	SUSPENSION, PUMP & DRIVE COMPONENTS	415	X	WH16X0513	2	ROD & SPRING ASM
2	CABINET, COVER & FRONT PANEL	417	X	WH02X0694	4	SCR 10-12 A HX 1/2 S
2	CABINET, COVER & FRONT PANEL	418	X	WH02X10003	8	SCR 8-18 B IHW 1 S
4	SUSPENSION, PUMP & DRIVE COMPONENTS	419	X	WH01X10001	4	SOCKET ROD SUPPORT
2	CABINET, COVER & FRONT PANEL	421	X	WH46X10024	1	BASE ASM
2	CABINET, COVER & FRONT PANEL	431	X	WH02X1187	4	LEG LEVELING
2	CABINET, COVER & FRONT PANEL	432	X	WH02X1188	2	PIN ROLL
2	CABINET, COVER & FRONT PANEL	450	X	WH16X0528	1	NUT BRACKET ASM
2	CABINET, COVER & FRONT PANEL	461	X	WZ05X0158	1	SCREW 8-32X3/8 GRD SCR
1	BACKSPASH & COIN BOX ASSEMBLY	489	X	WH01X2572	1	SLEEVE SPLIT
2	CABINET, COVER & FRONT PANEL	500	X	WH19X10010	1	HARNES WASHER
1	BACKSPASH & COIN BOX ASSEMBLY	546	X	WH12X0870	1	HOUSING TERMINAL BK
1	BACKSPASH & COIN BOX ASSEMBLY	550	X	WE02X0281	1	SCR 8-18 AB HWX 3/8 S
2	CABINET, COVER & FRONT PANEL	550	X	WE02X0281	1	SCR 8-18 AB HWX 3/8 S
1	BACKSPASH & COIN BOX ASSEMBLY	556	X	WH12X0497	1	HOUSING TERMINAL
1	BACKSPASH & COIN BOX ASSEMBLY	557	X	WH19X0310	1	CORD POWER ASM
2	CABINET, COVER & FRONT PANEL	559	X	WH12X0538	1	HOUSING TERMINAL
2	CABINET, COVER & FRONT PANEL	561	X	WH49X10013	1	PK PACK ASM INSTALLATION
4	SUSPENSION, PUMP & DRIVE COMPONENTS	603	X	WH01X2788	1	BELT DRIVE 220/240, 50 HZ
4	SUSPENSION, PUMP & DRIVE COMPONENTS	608	X	WH05X0255	1	CLUTCH ASM
1	BACKSPASH & COIN BOX ASSEMBLY	627	X	WR01X1930	1	STRAIN RELIEF
4	SUSPENSION, PUMP & DRIVE COMPONENTS	630	X	WH20X0876	1	MOTOR 220/240, 50HZ
4	SUSPENSION, PUMP & DRIVE COMPONENTS	642	X	WH12X10024	1	HOUSING SPECIAL
4	SUSPENSION, PUMP & DRIVE COMPONENTS	655	X	WH23X0088	1	PUMP & BRACKET ASM
4	SUSPENSION, PUMP & DRIVE COMPONENTS	678	X	WH01X2805	1	COUNTERWEIGHT
4	SUSPENSION, PUMP & DRIVE COMPONENTS	725	X	WH07X0137	1	PULLEY 220/240, 50 HZ
4	SUSPENSION, PUMP & DRIVE COMPONENTS	736	X	WR02X8583	3	CLIP COMP MTNG
4	SUSPENSION, PUMP & DRIVE COMPONENTS	737	X	WR02X7238	3	GROMMET COMP MTG
4	SUSPENSION, PUMP & DRIVE COMPONENTS	741	X	WR01X1779	3	STUD MTG COMPR
4	SUSPENSION, PUMP & DRIVE COMPONENTS	750	X	WR01X1786	3	SCR 10-32 TR T 1/2
1	BACKSPASH & COIN BOX ASSEMBLY	769	X	WB01X0500	2	SCR 8-18 B HXW 1/4 S
2	CABINET, COVER & FRONT PANEL	782	X	WB17X5060	1	TERMINAL BLK ASM (2 PIN)
1	BACKSPASH & COIN BOX ASSEMBLY	790	X	WH01X2036	1	CLAMP HOSE
2	CABINET, COVER & FRONT PANEL	790	X	WH01X2036	1	CLAMP HOSE
3	TUB, BASKET & AGITATOR	790	X	WH01X2036	1	CLAMP HOSE
1	BACKSPASH & COIN BOX ASSEMBLY	803	X	WH41X0366	1	WATER INLET HOSE
1	BACKSPASH & COIN BOX ASSEMBLY	805	X	WH46X0360	1	INSULATION NOISE
1	BACKSPASH & COIN BOX ASSEMBLY	805	X	WH12X1075	1	VALVE WATER 220/240, 50HZ
1	BACKSPASH & COIN BOX ASSEMBLY	807	X	WH02X0042	2	HOSE WASHER
1	BACKSPASH & COIN BOX ASSEMBLY	808	X	WH41X0400	1	HOSE INTAKE
1	BACKSPASH & COIN BOX ASSEMBLY	808	X	WH41X0403	1	HOSE INTAKE
1	BACKSPASH & COIN BOX ASSEMBLY	811	X	WH41X0365	1	HOSE PRESSURE SWITCH
2	CABINET, COVER & FRONT PANEL	818	X	WH41X0035	1	NOZZLE DRAIN
2	CABINET, COVER & FRONT PANEL	820	X	WH01X2725	1	CLIP ANTI-SIPHON
2	CABINET, COVER & FRONT PANEL	825	X	WH41X0385	1	HOSE SPRING ASM.

No.	Illustration Title	Item No.	Illustrated?	Part No.	Qty.	Part Description
2	CABINET, COVER & FRONT PANEL	827	X	WH41X10020	1	ADAPTER DRAIN HOSE
2	CABINET, COVER & FRONT PANEL	834	X	WH16X0513	1	RETAINER HOSE
2	CABINET, COVER & FRONT PANEL	835	X	WH01X2594	1	STRAP
2	CABINET, COVER & FRONT PANEL	836	X	WH02X10002	2	SCR 8-18 AB IHWP 7/8 S
3	TUB, BASKET & AGITATOR	851	X	WH01X2729	1	GASKET FLOOD HEAD
3	TUB, BASKET & AGITATOR	853	X	WH41X0369	1	HOSE FLOOD
1	BACKSPLASH & COIN BOX ASSEMBLY	875	X	WH02X0930	1	SCREW
1	BACKSPLASH & COIN BOX ASSEMBLY	907	X	WD09X0206	3	PUSHBUTTON
1	BACKSPLASH & COIN BOX ASSEMBLY	935	X	WD01X1434	26	TERMINAL SPECIAL
1	BACKSPLASH & COIN BOX ASSEMBLY	1458	X	WB17X5073	1	TERM BLK ASM-1 PIN(1458)
1	BACKSPLASH & COIN BOX ASSEMBLY	1506	X	WB17X5059	1	HOUSING SOCKET PKG 9 PIN